

A Surface-Mount Technology Primer—Part 2

Here's more on surface-mount devices—their makeup, where to get them and how to work with them.

By Bryan P. Bergeron, NU1N
30 Gardner Rd, Apt 1G
Brookline, MA 02146

In Part 1, I briefly reviewed the history of SMT, pointed out its benefits and limitations, and showed you what active-device packaging looks like. This month, I'll discuss passive-device packaging and how to work with SMDs. This article also contains a list of SMD suppliers, describes the tools you should have to work with the devices and how you can get more information about surface-mount technology.

Passive-SMD Packaging

Passive-SMD packaging tends to be both simpler and more robust than that of active SMDs, in part because of the generally smaller lead count and overall construction of passive components. The construction and packaging of passive components is also more standardized than active-component packaging.

Diodes

SM LEDs, complete with lenses, are available in three-terminal SOT-23 packaging, while small-signal diodes (less than 0.7 W dissipation) are commonly packaged as 3.7×1.6 mm or 2.5×1.25 -mm, two-terminal SM units.⁹ Higher-power diodes (0.7-1 W dissipation) are usually manufactured as 5×2.6 -mm, two-terminal SM units.

SM diodes are also available packaged

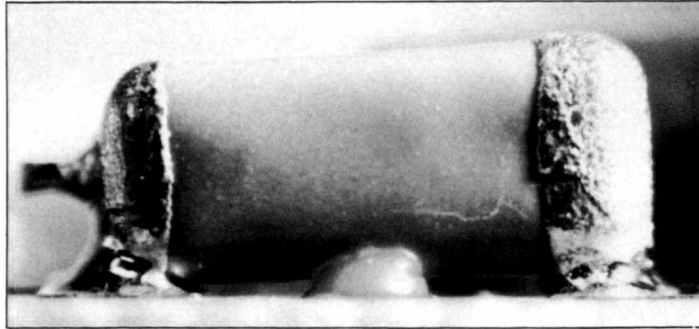
in conventional cylindrical casings, with color bands to indicate the cathode end and device type, but without leads (see Fig 4). These MELF diodes are, however, more difficult to work with than either conventional or SO packaging because they can easily roll off the circuit board during assembly.

Capacitors

The most popular SM capacitors are ceramic (both fixed and variable) and tantalum. Because of problems with surviving the high temperatures and solvents used in soldering, plastic-film and aluminum-electrolytic capacitors are rarely available in SM packages.

Ceramic SM capacitors are constructed much like conventional ceramic capacitors, with alternating layers of dielectric and electrode materials, but with continuous terminals instead of leads (see Fig 6). Standard values range from 1 pF to 1 μ F, with dc working voltages from 25 to 200.¹⁰ SM ceramic capacitors have been reduced in size ($3.2 \times 2.5 \times 0.7$ mm) to the point that they can be mounted *beneath* ICs, supporting extremely dense circuit configurations. SM ceramic variable capacitors are available in thicknesses as low as 1.6 mm, and capacitance ranges from 1.4 to 50 pF.¹¹

Tantalum SM capacitors offer the highest capacitance per unit area of the SM capacitors, with capacitance values up to 220 μ F, and dc-voltage ratings up to 50.



Surface-mount components are frequently affixed to PC boards with an adhesive to facilitate automated soldering. In addition, heat-conductive adhesives are often used to conduct component heat to the larger PC board. The adhesive used to secure the surface-mount inductor shown in this photograph is visible midway between the two solder caps, and between the inductor and the PC board. Note the poor quality of the solder joint on the right, as suggested by the incomplete wetting of the metallized cap (compare with the sufficiently wetted joint at the left). This SMD measures $2 \times 2 \times 4$ mm. (NU1N photos)

The leads on these solid electrolytic capacitors are usually folded under the body to minimize package size (Fig 7). The extended-capacitance-range packaging (Fig 8) offers an even greater capacitance density.

SM capacitors, especially the ceramic variety, are often unmarked. Instead, their plastic carriers are labeled, usually with a three-digit code. Once they're out of their carriers, your only option is to use a capacitance meter to determine component values. Fortunately, a variety of spring-loaded fixtures are available to hold ceramic SM capacitors during testing. For example, Garrett Instruments (see the Appendix, "SMT Supplies and Suppliers") sells the CCT-100 chip-component tester (\$80), which is designed to be inserted directly into the banana jacks of a standard hand-held multimeter.

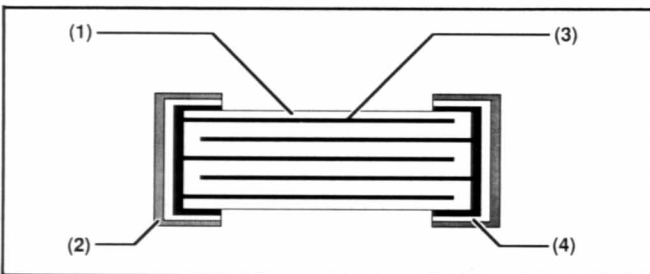


Fig 6—Ceramic-SM-capacitor construction: (1) dielectric layer; (2) end-cap electrode; (3) electrode layer; (4) barrier layer.

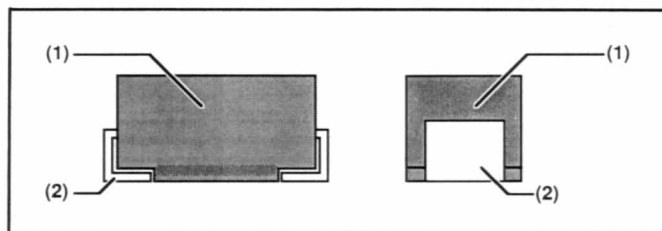


Fig 7—A common package configuration for SM tantalum capacitors. These capacitors provide much greater capacitance per unit area than do SM ceramic capacitors: (1) component body; (2) electrode.

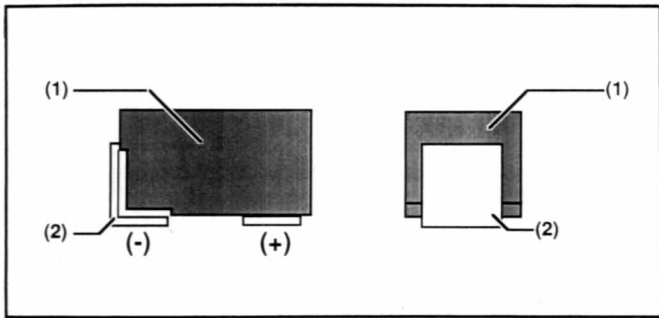


Fig 8—Extended SM tantalum capacitors provide the highest capacitance per unit area, with values up to 220 μF available. Note that in this package configuration, the anode (+) is hidden from view when mounted: (1) component body; (2) electrode.

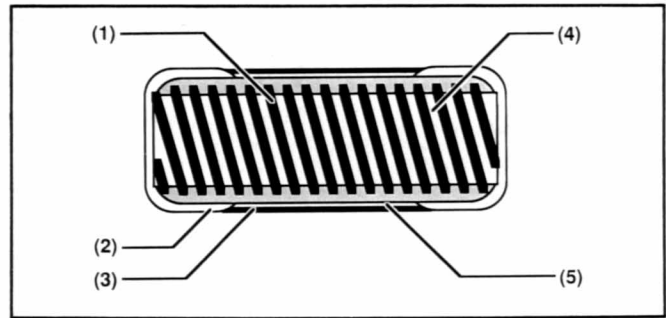


Fig 9—Metallized electrode face (MELF) resistor construction. (1) helix of resistive material; (2) end cap electrode; (3) protective lacquer coating; (4) ceramic core; (5) nickel/chromium protective coating.

Resistors

Most SM resistors are based on thick-film technology, in which a resistor paste is fired over a ceramic base. A glass layer protects the device, and a film of platinum/silver or platinum/palladium/silver forms the electrodes. A thin layer of barium is often applied over the electrodes to minimize leaching during the soldering process, and a tin coating is applied to provide an easily solderable surface.

MELF resistors, adaptations of conventional leaded resistors in which metallized end electrodes are used instead of leads (see Fig 9), are also readily available. MELF resistors are somewhat less expensive than thick-film SM resistors. MELF devices are more difficult to work with, however. Like MELF diodes, they tend to roll off the PC board if not adequately secured with adhesive prior to soldering.

SM fixed-resistor networks are attractive alternatives to individual SM thick-film resistors because they increase circuit density and reduce mounting costs. There are two basic types of SM resistor-network packages (see Fig 10): the SO package with metal leads, and the leadless chip type.¹² Leadless SM resistor networks with concave electrodes are generally considered to be superior to the convex-electrode variety because solder bridges are much less like-

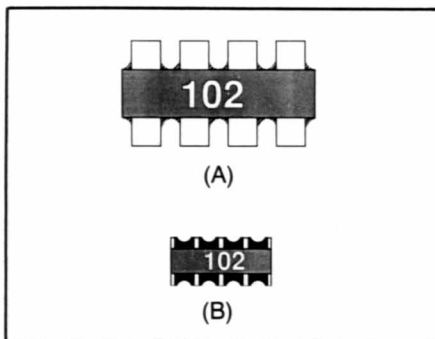


Fig 10—SM resistor networks are available in leaded (A) and more compact leadless packages (B). Resistor-network value markings follow those of individual SM resistors. For example, the networks pictured are both composed of four 1-k Ω resistor units: $10 \times 10^2 = 1000 \Omega$.

ly to form during soldering. Also, the surface tension of the molten solder tends to self-align a network with concave electrodes to the underlying solder pad.

The labeling of individual SM fixed resistors and SM networks departs from the familiar color bands used with conventional components. SM resistors are usually labeled with a three-digit code, in which 10- Ω , 1-k Ω , and 1-M Ω resistors are labeled 100, 102, and 105, respectively. That is, the first two digits correspond to the basic resistor value, and the third digit is the multiplier (ie, $10 \times 10^0 = 10$, $10 \times 10^2 = 1000$, and $10 \times 10^5 = 1,000,000$).

Inductors

Compact SM inductors are available in values from 0.1 μH to 2.2 mH, with current ratings up to 0.5 A. Some 2.2-mH SM coils require minimum circuit-board real estate ($4.5 \times 3.2 \times 2.6 \text{ mm}$). Completely shielded SM inductors (with values up to 220 μH) can mount in a space of only $3.2 \times 2.5 \times 1.1 \text{ mm}$.¹³ SM inductors are usually constructed with a ceramic or ferrite core that is coated with a protective epoxy resin.

Switches

Despite their mechanical complexity, SM toggle and push-button switches are easy to work with. For example, SM switches typically use gull-wing terminals, making their solder joints readily accessible for probing and visual inspection.¹⁴ Because they must withstand molten solder, SM switches are constructed of heat-resistant resins.

Transformers

SM transformers have been developed that require less than 20% of the space of comparable conventional transformers. TDK Corporation offers a $5 \times 6 \times 3.1\text{-mm}$ SM transformer that includes a complete magnetic shield. The ferromagnetic shielding of this six-terminal device minimizes cross coupling, thereby supporting very-high-density mounting configurations.

LC Filters

Several manufacturers offer ultraminia-

ture low-pass, band-pass, and high-pass SM filters. TDK Corporation manufactures a line of lightweight, 12-terminal, fully shielded LC filters with dimensions of only $3.6 \times 5 \times 2.3 \text{ mm}$.

Working with SMDs

When laying out traces on an SMT circuit board, strive for a clean design that allows for adequate cooling and subsequent testing and repair.¹⁵ Although the SM package type and lead tolerances dictate the number, thickness, and spacing of the required solder pads, you have great flexibility in defining the intercomponent space. Because surface-mount devices are so small, you can usually afford to be generous with test points. By including dedicat-

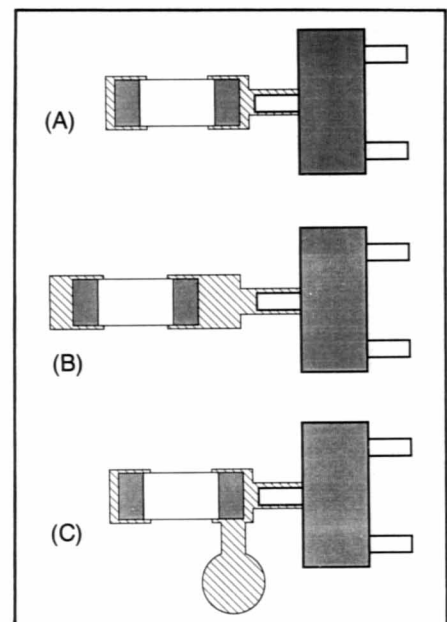


Fig 11—When designing SM circuit boards, make certain to allow for circuit probing. At A, an SM resistor (left) and transistor (right) are located immediately adjacent to each other. Although compact, this arrangement hinders testing. A better approach (B) is to extend solder pads well beyond component outlines. A second remedy is to design test points into the board layout (C). These test points should be located at least 1.2 mm (0.05 in.) from the nearest component.

ed test points in the circuit-board design, or simply extending solder pads beyond their component outlines (see Fig 11), circuit testing is greatly simplified. Where working with SMDs does deviate significantly from working with conventional components is in component handling, soldering and testing.

Handling Components

Although it's easy to accidentally bend a lead on a 196-pin gull-wing QFP IC, SMDs in general are very rugged. Even so, tarnishing is a major problem with SMDs, and is a common cause of poor component solderability. Because sweat deposits, residue from coughing and sneezing, and other organic contaminants promote tarnishing, never use your fingers to manipulate an SMD: Use tweezers or a vacuum pencil. The tweezers should be angled, with a flat rather than pointed end, and should be used to grip the component across the body. Picking up an SMD by a metallized surface can cause irreparable damage to the device. Similarly, rather than using conventional test probes to verify component values, it is much safer to use specially designed microtip or tweezer probes.

Soldering

Manufacturers rely on two soldering methods when mounting SMDs: flow and reflow soldering. With flow soldering, a populated board is passed through molten solder. Adhesives are required to hold SMDs in place during the soldering process. Reflow soldering involves the deposition of solder paste on the circuit board pads, positioning the SMDs on the board, and heating the entire assembly to the soldering temperature. The differences between these two soldering techniques become relevant to amateurs when components must be removed from the board for repair (see *Testing and Repair*).

Although most SMDs are capable of withstanding temperatures of 500 °F for between 5 and 10 seconds, you should limit both soldering time and temperature as much as possible. The solder terminals on SM capacitors, resistors, and other leadless SMDs are usually composed of a mixture of glass and metallic flakes, commonly silver/palladium. Because these flakes are designed to be readily soluble in solder, they can be leached out of the component, leaving nonconductive glass behind. To retard leaching, components manufactured with silver/palladium metallizing should be soldered with the same metal: tin/lead/silver solder should be used with silver/palladium leads instead of tin/lead solder. With its lower melting point of 354 °F (versus 370 °F for 60/40 tin/lead solder), tin/lead/silver solder is an excellent choice for all SMD soldering operations. Lower solder exposure time and temperatures minimize leaching.

With SMDs, don't use the conventional method of applying solder to the lead/board junction while applying heat. Pre-tin the solder pads (see Fig 12). After the

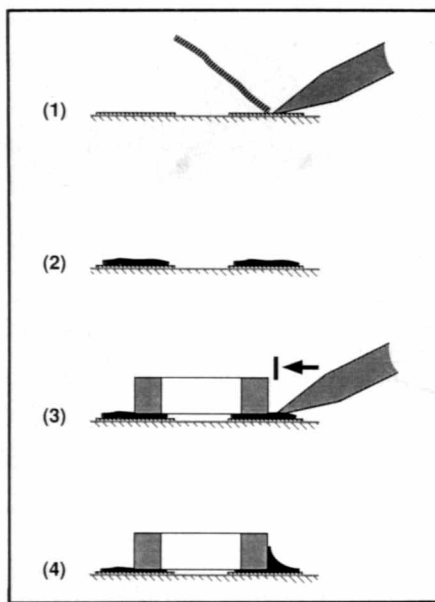


Fig 12—Soldering leadless SM components is best accomplished by: (1) tinning the soldering pads with a low-temperature iron; (2) allowing the tinned pads to cool; (3) placing the component on the tinned pads and applying the tip of the iron to the solder pad, taking care to move the iron tip near, but never in direct contact with, the component terminal; (4) allowing the terminal to cool briefly before soldering the other terminal.

solder pads have been tinned, position the component over the pads (see Fig 13). (It is rarely necessary to apply adhesives, unless a thermally conductive adhesive is required for added heat dissipation.) Once the component has been positioned, place the iron tip on the pad and bring it near the component until the solder flows. Avoid bringing the iron tip into direct contact with the SMD body; position the iron at the junction of the PC-board foil and component solder terminals.

Take care to limit soldering time as much

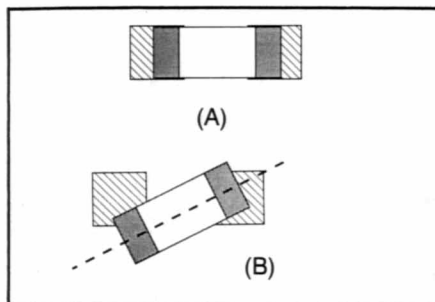


Fig 13—Verifying proper alignment of SM components is important during both circuit testing and construction. For a highly reliable connection, no more than 25% of a component terminal should extend beyond its solder pad outline. (A)—an SM capacitor perfectly aligned with its solder pad outline. (B)—an SM capacitor with more than 50% of one terminal (the 50% mark is indicated by the dotted line) extending beyond its solder pad outline. This component should be remounted.

as possible when working with capacitors, resistors, and other components made of ceramic. Since these components conduct heat well, it's all too easy to unsolder one end of the device while attempting to solder the other. When working with transistors and ICs, tack down one pin, then quickly go through all of the pins in turn until the joints are bright. Don't use excessive amounts of solder.

When soldering leadless SMDs, the shape of the solder joint is a much better indicator of the quality of the connection than the texture or brightness of the joint. As illustrated in Fig 14, an adequate solder joint has a concave meniscus of solder that blends cleanly into the body of the component and the solder pad.

Testing and Repair

Testing an SMD board is in some respects easier than testing a conventional multilayer board. Because the traces and components are (for the most part) limited to one side of the circuit board, it can be much easier to follow circuit connections. This advantage, however, is often offset by the difficulty in working with the much finer traces and leads associated with SMDs.

When performing in-circuit testing of SMDs, don't probe component terminals directly. The pressure of the probe could momentarily make an open joint appear intact (or vice versa) and could also damage the component. If standard test leads are used, probe the nearest test pad or extended solder pad, if available. Alternatively, a microtip probe can be used to probe the edge of a standard solder pad. Specially designed tweezer probes can also be used to safely measure circuit parameters.

With conventional leaded components, removing a defective unit entails first removing any excess solder, and then freeing the component. When removing SMDs, however, you must first reflow all of the solder connections, remove the device, then remove the excess solder. The most practical method of removing SMDs involves the use of a temperature-controlled iron set at 500 °F and fitted with a tip just wide enough to bridge both ends of the component to be removed.¹⁶ (Many of the tips sold for IC removal are good for removing SMDs). Position the iron so that the tip makes good contact with both ends of the component, ensuring that maximum heat transfer takes place. When the solder melts, use tweezers to remove the component. If an adhesive was used in production, a slight twisting of the component usually frees it from the PC board. After the board has cooled for a few minutes, remove the excess solder with desoldering braid.

Angled side cutters can also be used to remove suspect SM components. However, not only does this method render the component useless, but the PC board may also be damaged in the process.

Once a defective SMD has been removed and the excess solder removed from the PC board, replacing the component is straight-

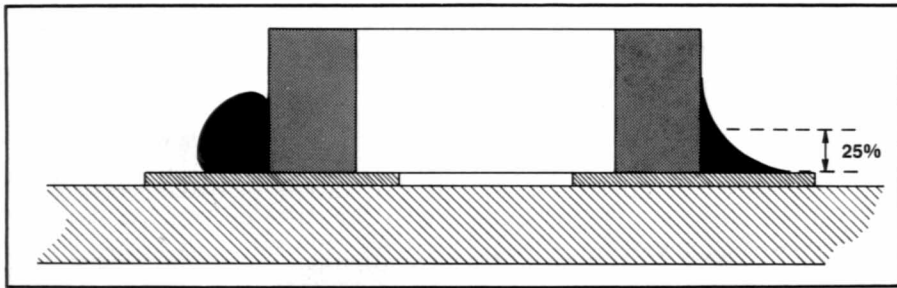


Fig 14—The optimum size, shape and extent of the PC-board SMD solder fillets depend on the device and lead type. The solder joint of a leadless SMD should have a concave meniscus of solder that blends cleanly into the body of the component and the solder pad (right). In addition, the solder fillet must wet at least 50% of the face of the SMD terminal, and extend up the face of the component terminal by at least 0.5 mm (0.020 in.) or 25% of the terminal height, whichever is less. The solder joint on the left is inadequate. In high-reliability applications, no more than 25% of the terminal should extend beyond the pad.

forward. As described earlier, position the replacement component and place the iron tip on the component pad, bringing it nearer to the component until the solder flows.

SMT Outlook

The advantages of SMT, including reduced equipment size, low-profile design and reduced mounting costs, promise to make it the dominant component technology throughout the next decade. Use of the once-popular plastic DIP has decreased precipitously in the last few years, having been supplanted by new SM packaging alternatives.¹⁷ With traditional components going the way of the once ubiquitous vacuum tube, radio amateurs should learn to work with SMT.

Pick up a few SM capacitors and resistors, and work them into your next project design. After you feel comfortable handling these robust and relatively inexpensive devices, you can move up to more challenging work with SM transistors, diodes, and ICs.

APPENDIX

SMT Supplies and Suppliers

The basic supplies required for SMD work are tweezers, a low- or temperature-controlled soldering iron with a fine tip for mounting components and a wider or specialized tip for removing them, and a vision aid. If you don't have a desk- or bench-mounted magnifier lamp, you'll need some sort of hand-held magnifier to inspect solder joints and determine component values. Listed below are but a few of the many vendors of SMDs and accessories.

SMDs

Communications Specialists, Inc (426 West Taft Ave, Orange, CA 92665, tel 800-854-0547) offers SM chip prototyping kits. A 365-piece SM capacitor sampler, with values from 1 pF to 0.33 μ F (most are rated at 50 V dc), sells for \$49.95. For the same price, you can purchase a 1540-piece resistor sampler, with values from 10 Ω to 10 M Ω (1/10 to 1/8 W).

Garrett IEU, Inc (3130 Skyway Dr, #104, Santa Maria CA 93455, tel 805-922-0594) is an excellent source of virtually all SMDs, from fixed and variable resistors and capacitors (tantalum units up to 220 μ F), to inductors, transistors and ICs. Their extensive 51-page catalog, which is free for the asking, contains detailed data sheets on many components. The numerous illustrations, including suggested pad layouts, device outlines and component details, such as temperature characteristics, maximum operating voltage, etc, make this catalog a valuable reference for anyone working with SMT.

MCM Electronics (650 Congress Park Dr, Centerville, OH 45459-4072, tel 800-543-4330) offers SM capacitors and resistors in bags of 10. Prices for a bag of capacitors range from \$1.30 to \$2.35, with values available from 10 pF to 0.1 μ F at 50 V dc. A bag of ten 5%-tolerance, 1/8-W resistors, with values from 20 Ω to 750 k Ω , sells for \$0.65.

ROHM Corporation (8 Whatney, Irvine, CA 92718, tel 714-855-2131) offers a full range of SMDs, including monolithic and hybrid ICs, transistors, diodes (switching, Zener, laser, Schottky, light emitting, and variable capacitance), fixed and variable resistors, ceramic capacitors and LCDs.

Radio Shack® has introduced a 200-piece assortment of 1/8-W surface-mount resistors (RS 271-313).

Tools

In addition to SMDs, MCM Electronics markets an inexpensive tweezer/magnifying lens combination designed expressly for working with SMDs (\$3.95), as well as a low-cost magnifier attachment for a helping-hands station (\$1.95). Similarly, Garrett IEU, Inc, markets a complete line of ITT Pomona test equipment, including SMD test tweezers (\$17.60), an SMD microtip test probe (\$8.20), and dozens of other SMD test probes and clips.

Edmund Scientific Co (101 E Gloucester Pike, Barrington, NJ 08007-1380, tel 609-573-6260) markets a complete line of high-quality magnifiers, pocket microscopes, and other visual aids that can be used for SM work. In particular, they offer a hands-free magnifier by Bausch & Lomb that is secured around the neck and rests against the chest, leaving both hands free for soldering

and probing (\$20).

Fordham Radio (260 Motor Parkway, Hauppauge, NY 11788-5134, tel 800-832-1446) sells a wide variety of precision electronic assembly tweezers (\$8 and up), as well as an X-ACTO® x-tra hands station with magnifier (\$19.95).

Jameco® Electronics (1355 Shoreway Rd, Belmont, CA 94002, tel 415-592-8097) sells an assortment of soldering stations and soldering accessories.

Jensen Tools, Inc (7815 S 46th Street, Phoenix, AZ 85044-5399, tel 602-968-6231) offers the most impressive array of precision tweezers that I have seen (carbon, stainless steel, and titanium units, from Swiss manufacturers). In addition, a vacuum part-handling system, perfect for working with SMDs, is available for about \$50. Jensen also handles the complete line of Weller® and Ungar® soldering stations, as well as Kester® 60/40 and 63/37 tin-lead solders and 62/36/2 tin-lead-silver solder.

Books

Heath Co. (PO Box 8589, Benton Harbor, MI 49022, tel 800-253-0570) markets a home study course on SMT for about \$100. Along with a fairly comprehensive manual, the course contains PC boards designed for SMDs and the components required to populate them. This course provides a gentle introduction to the practical aspects of working with SMDs. An alternative to this course is to equip yourself with a good set of tweezers, a magnifying glass, some PC-board stock, a few dozen assorted SMDs and the catalog from Garrett. In addition to the course from Heath, a number of excellent texts on SMT are available (some of which are identified under Notes). Consult your local library for these and other SMT references.

Notes

- ⁹T. Okada, "Chip Components Open Door Wide to Greater Mounting Densities," *Journal of Electronic Engineering*, Oct 1989, pp 102-105.
- ¹⁰H. Manko, *Soldering Handbook for Printed Circuits and Surface Mounting*, (New York: Van Nostrand Company, Inc 1986).
- ¹¹Y. Higuchi, "Overcoming Technical Hurdles on the Road to SMT and Miniaturization," *Journal of Electronic Engineering*, Oct 1989, pp 106-109.
- ¹²S. Inagaki, "Chip Resistor Network Reduces Mountings on the Way to Higher Density Circuits," *Journal of Electronic Engineering*, Oct 1989, pp 119-121.
- ¹³M. Takaya, "Surface Mounting Technologies for Chip Transformers, Filters and Inductors," *Journal of Electronic Engineering*, Oct 1989, pp 116-118.
- ¹⁴T. Nakamura, "New Technology Emerges for Surface-Mount Toggle Switches," *Journal of Electronic Engineering*, Oct 1989, pp 114-115.
- ¹⁵The 1988-1990 editions of *The ARRL Handbook* featured "A Computer Controlled Shortwave Converter," (pp 30-25 to 30-40). This project, built by Lee Snook, W1DN, makes extensive use of surface-mount technology.
- ¹⁶Although vacuum-desoldering machines, heated tweezers, hot-gas pencils, hot-air machines, focused infrared energy, heat guns, and hot-bar soldering are used commercially to remove SMDs, these approaches are far too expensive for the average amateur.
- ¹⁷J. Scarlett, *An Introduction to Printed Circuit Board Technology*, (Ayr, Scotland: Electrochemical Publications Ltd, 1984). 